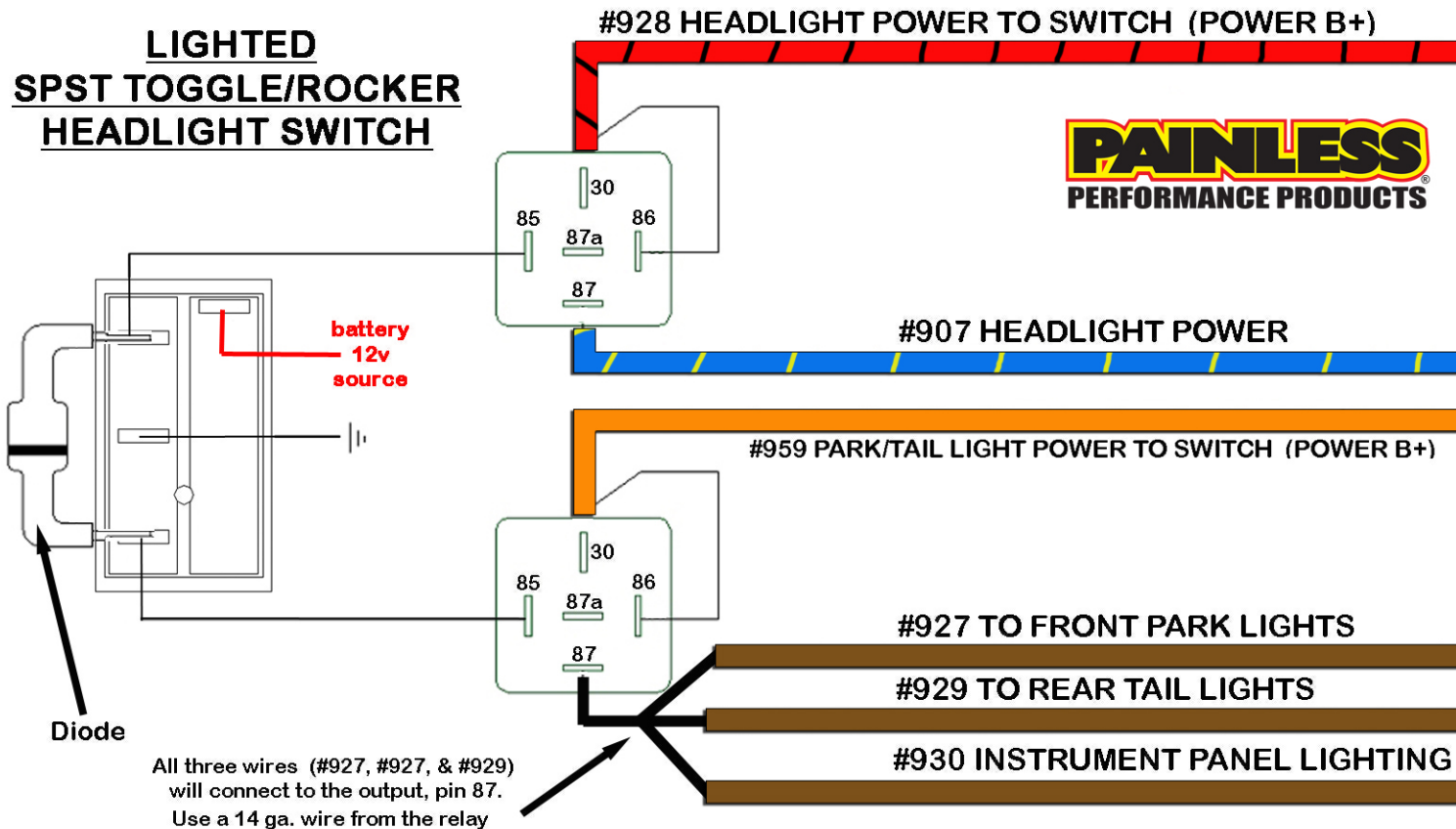


LIGHTED

SPST TOGGLE/ROCKER HEADLIGHT SWITCH



battery
12v
source

#928 HEADLIGHT POWER TO SWITCH (POWER B+)

#907 HEADLIGHT POWER

#959 PARK/TAIL LIGHT POWER TO SWITCH (POWER B+)

#927 TO FRONT PARK LIGHTS

#929 TO REAR TAIL LIGHTS

#930 INSTRUMENT PANEL LIGHTING

Diode

All three wires (#927, #927, & #929)
will connect to the output, pin 87.
Use a 14 ga. wire from the relay